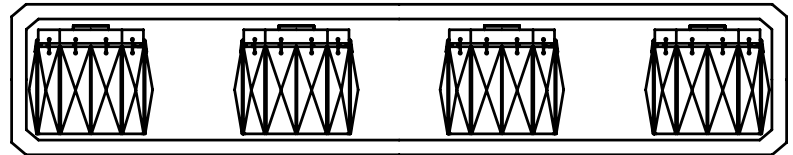
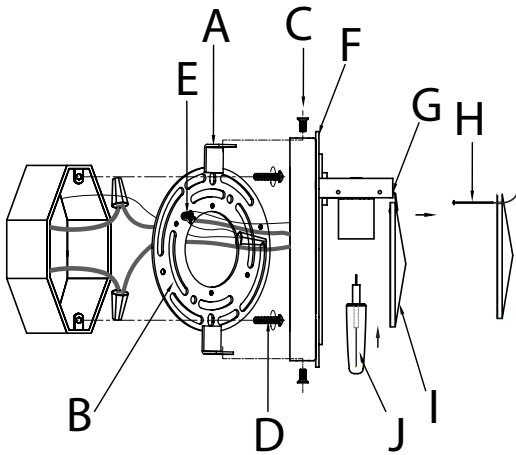


Assembly Instructions: 1025-BA2, BA3, BA4 (Krysta)

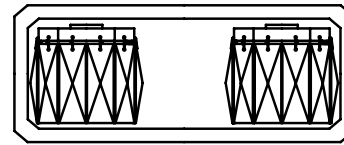
IMPORTANT:

- ALL INSTALLATION WORK SHOULD BE DONE BY ACCREDITED PROFESSIONAL.
- SHUT OFF POWER SUPPLY AT FUSE OR CIRCUIT BREAKER!
- USE ONLY THE SPECIFIED BULBS. DO NOT EXCEED THE MAXIMUM WATTAGE!

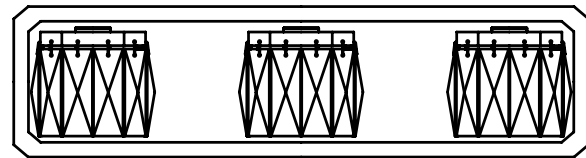
For Customer Service, contact the place of purchase.



1025-BA4



1025-BA2



1025-BA3

How to Identify the Fixture's Wires		
Hot	Neutral	Ground
Smooth	Ribbed	Bare Metal, Green, or Green Inner Thread
Black	White	
Black Inner Thread	White Inner Thread	

PREPARING FOR INSTALLATION

Remove all of the contents from the carton. See the important notes above. Remove the old fixture from the wall, including the old mounting strap.

1. Take the mounting strap assembly from the parts bag. Mounting strap (B) contains threaded holes. Line up the holes in backplate (F) with the holes in mounting strap (B) and secure mounting strap (B) to the junction box with mounting screws (D) and a screwdriver. Tighten the screws securely.

CONNECTING THE WIRES

2. Have an assistant support the fixture's weight while completing the wiring. Refer to the wiring diagram below and attach the fixture's wires to the power supply wires from the junction box. Connect Hot to Hot, Neutral to Neutral, and Ground to Ground. Twist the ends of the wire pairs together, and then twist on a wire connector. Make sure all twists are in the same direction. If there is no house ground wire coming from the junction box, locate ground screw (E) on the mounting bracket/mounting strap and wrap the fixture's ground wire around the ground screw. Use a screwdriver to tighten the top of ground screw (E) onto the wires and into the mounting bracket/mounting strap. Tuck the wires into the junction box.

FINISHING THE INSTALLATION

3. Place the fixture's backplate (F) over mounting strap (B) so that the keyholes in the top of mounting strap (A) line up with the holes in backplate (B). Thread screws (F) into the holes.
4. Install light bulb (J - provided) in accordance with the fixture's specifications. Do not exceed the maximum recommended wattage.

Bulb Note: Use a tissue or paper towel to hold the bulb and push down into the socket. Oils and dirt can cause the bulb life to shorten. Rubbing alcohol is recommended to clean the bulbs when needed.

5. Crystals (I) are installed, but if one comes off, please refer to the diagram above of the crystal installation.

Your installation is now complete. Turn on the power and test the fixture.

CLEANING TIPS

Treat the fixture gently! Regular cleaning will reduce the need for deep cleaning. For regular cleaning, turn off the light and wipe down the fixture with a clean lint-free cotton or microfiber cloth. Never spray cleaner directly onto the fixture.

